

Features

- Includes faceplate with handle, shower arm and flange.
- Single handle controls both on/off activation and temperature settings.
- For use with any KOHLER showerhead.
- Complements Alteo faucets and accessories.

Material

- Premium material construction with metal handle ensures reliability and durability.
- KOHLER finishes resist corrosion and tarnishing.

Installation

- Trim only; requires valve to complete installation (sold separately).

Required Products/Accessories

K-304/K-P304 Series Rite-Temp[®] Valves

or

K-8304/K-P8304 Series Rite-Temp[®] Valve & Cartridge Kits

or

K-8300/K-P8300 Series Rite-Temp[®] Valve Body Rough-ins

K-8305/K-P8305 Series Rite-Temp[®] Cartridges

or

K-2971-KS 3/4" Pressure-balancing Valve

Recommended Products/Accessories

K-23723 Faucet cleaner

Optional Products/Accessories

K-10350 Deep rough-in kit

K-10351 Test cap for K-8300 Series valve bodies



Codes/Standards




ASME A112.18.1/CSA B125.1

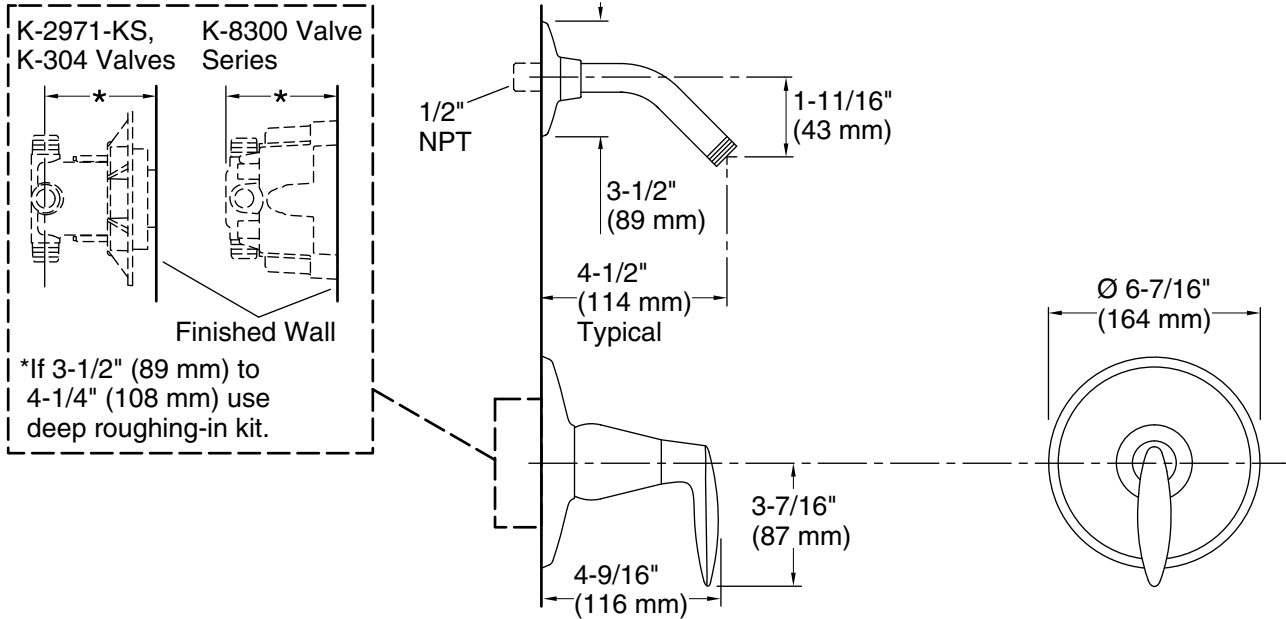
KOHLER[®] Faucet Lifetime Limited Warranty

See website for detailed warranty information.

Available Colors/Finishes

Color tiles intended for reference only.

Color	Code	Description
	CP	Polished Chrome
	BN	Vibrant [®] Brushed Nickel
	2BZ	Oil-Rubbed Bronze



Technical Information

All product dimensions are nominal.

Showerhead/Body Spray:

Rated maximum flow: 2.5 gal/min (9.5 l/min)

Notes

Install the product according to the installation guide.

NOTICE: Risk of product damage. Long screws for installing trim can damage the K-2971-KS valve. Consult the trim installation guide to verify if the thin wall installation kit (88526) is needed.